

Mini-UWG

IEEE802.11g Wireless USB Printer Server

Windows 98	Windows NT	Vista	WEP	Web Management
Windows 98SE	Windows 2000	AppleTalk	IPX/SPX	NetBEUI
Windows Me	Windows XP	SNMP	IPP	

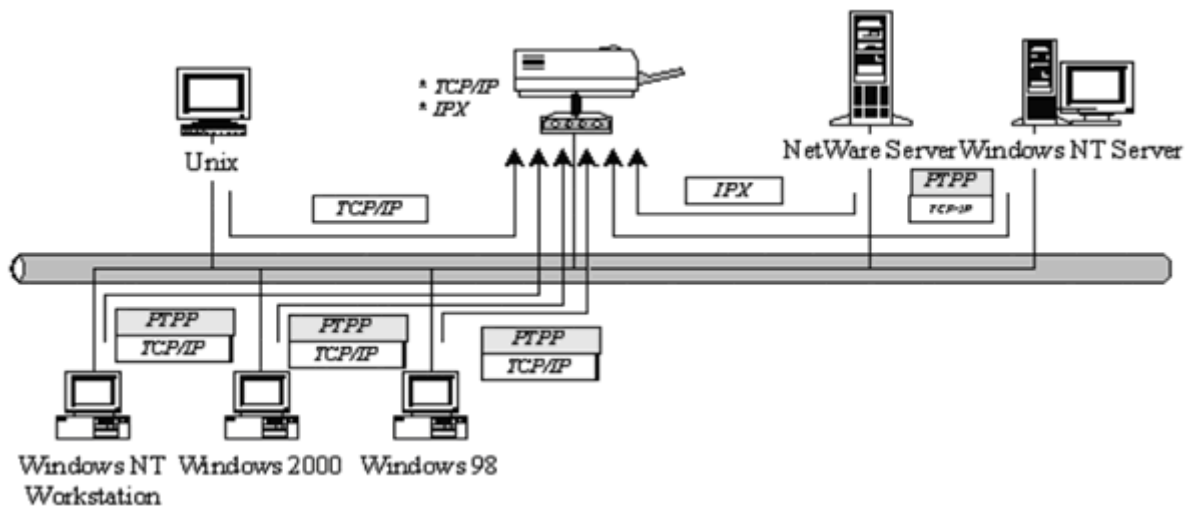


Features

The PLANEX Mini-UWG is the high performance network printing solution for both wired 10/100 Base-T and wireless 802.11 b/g .You could put your Printer any where in your wireless network area. You could also share one printer with many clients in your office or home with different O/S Base including Window 2000/XP Linux and Mac, Unix . PLANEX Mini-UWG Printer Server is your best choice.

■ **common network environment are classified as following**

Mini-UWG supports IPX/SPX, NetBEUI, TCP/IP and AppleTalk network protocols, any networked computer can directly print to the server from any of its installed protocol.



■ **Easily configurable by Utility and WEB browser**

The Web-based configuration screen lets you easily adjust basic configuration settings via a standard WEB browser. The Utility let you doing easy setup and got the clear information

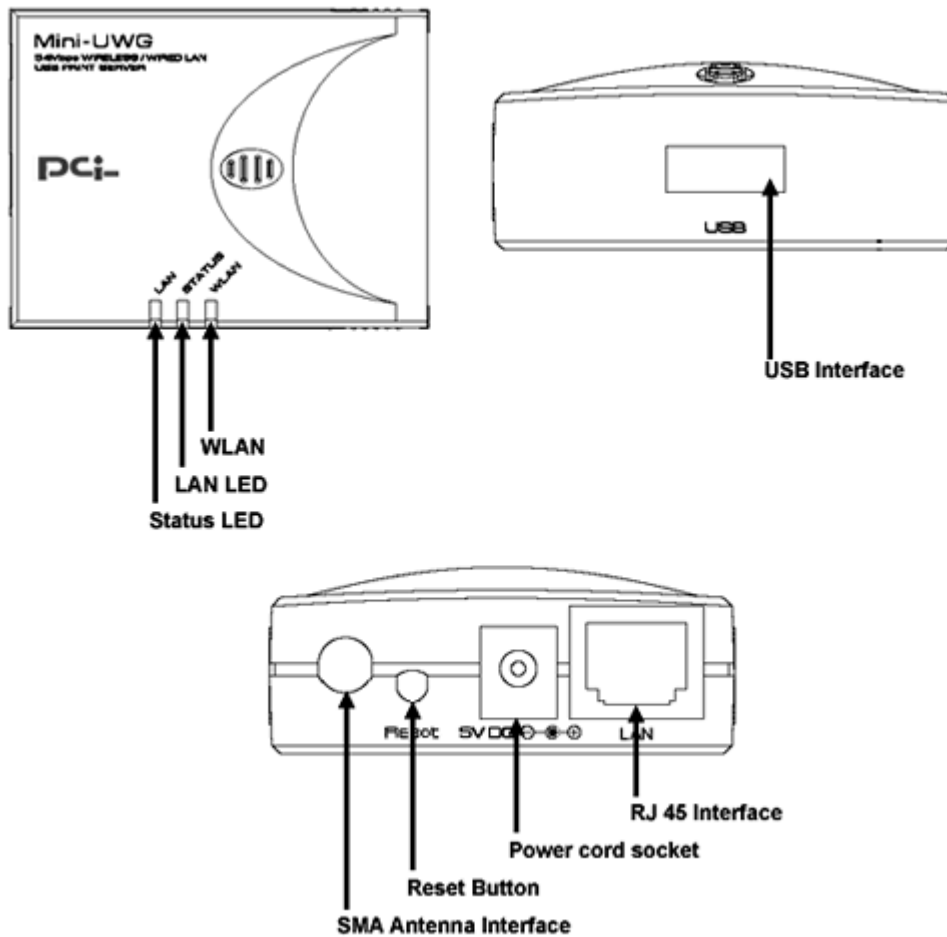
■ **Support both WEP and WPA-PSK security mode**

Mini-UWG support WEP Encryption 64bit/128bit and WPA-share key

■ **Support wireless IEEE802.11g/b and 10/100 Base-T**

Mini-UWG support both wired and wireless networking. Provides one 10/100Mbps auto-sensing port that complies with IEEE 802.3 and 802.3u standards. Also supports IEEE 802.11g/b wireless LAN

Product View



Specification

Model Number		Mini-UWG
Forwarding Method	International Standard	IEEE 802.3, IEEE 802.3u, IEEE802.11g, IEEE 802.11b
	Domestic Standard	N/A
Wired Part	Interface	USB 1.1(Printer Port), 10/100Mbps RJ-45 (LAN Port)
	Supported Protocols	IEEE 802.3, IEEE 802.3u
	Access Method	CSMA/CD
	Number of Port	USB 1.1 x 1, 10/100Mbps x 1(Auto-MDI/MDI-X)
External Antenna Port		RP-SMA x 1
Frequency Range (MHz)		2.4000~2.4835GHz
Transmission Central Frequency(MHz)		2412~2484 MHz
Channel(Ch)		1-14 channel
Modulation Method		OFDM with BPSK, QPSK, 16QAM, 64QAM (11g), DBPSK, DQPSK, CCK (11b)
Wireless forwarding rate (Mbps)		54/48/36/24/18/12/11/9/6/5.5/2/1
Transmission Range (Auto-forwarding)	(802.11g) 54Mbps (m)	50m-11g
	(802.11g) 6Mbps (m)	300m-11g

speed) Outside open place	(802.11b) 11Mbps (m)	200m-11b
	(802.11b) 1Mbps (m)	400m-11b
Antenna gain (dbi)		2dBi
12/18 Mbps	(Sensitivity)	-85dBm@12Mbps, -84dBm@18Mbps
24/36 Mbps	(Sensitivity)	-81.5dBm@24Mbps, -77dBm@36Mbps
48Mbps	(Sensitivity)	-72dBm
54Mbps	(Sensitivity)	-71dBm
Cable Length(m)		Antenna cable inside 8cm
LED		LAN, Status, WLAN
Support O/S		Windows 98/Me/2000/XP, MAC OS and Unix/Linux
Support Protocol		TCP/IP, IPX/SPX, AppleTalk network protocols
Support printing Method		IPP, LPR, SMB/TCP, Raw Printing
Supports Management		Web-based and Telnet management, Windows Configuration Utility, SNMP Protocol
Power Voltage Data		5VDC, 2A
Power Consumption		2.4W
EMI Compliance		FCC, CE, VCCI, Telec ,DGT
Storage Temperature		'-20-70 degree centigrade
Storage Humidity		0-95%
Operating Temperature		0-55 degree centigrade
Operating Humidity		10-90%
Dimensions		20(H) x 58(W) x 82(D) mm
Weight		76g (including antenna)
Package Contents		Mini-UWG, AC power adapter, stand kit, quick installation guide, warranty card, manual & utility CD-ROM

PLANEX COMMUNICATIONS INC
www.planex.net